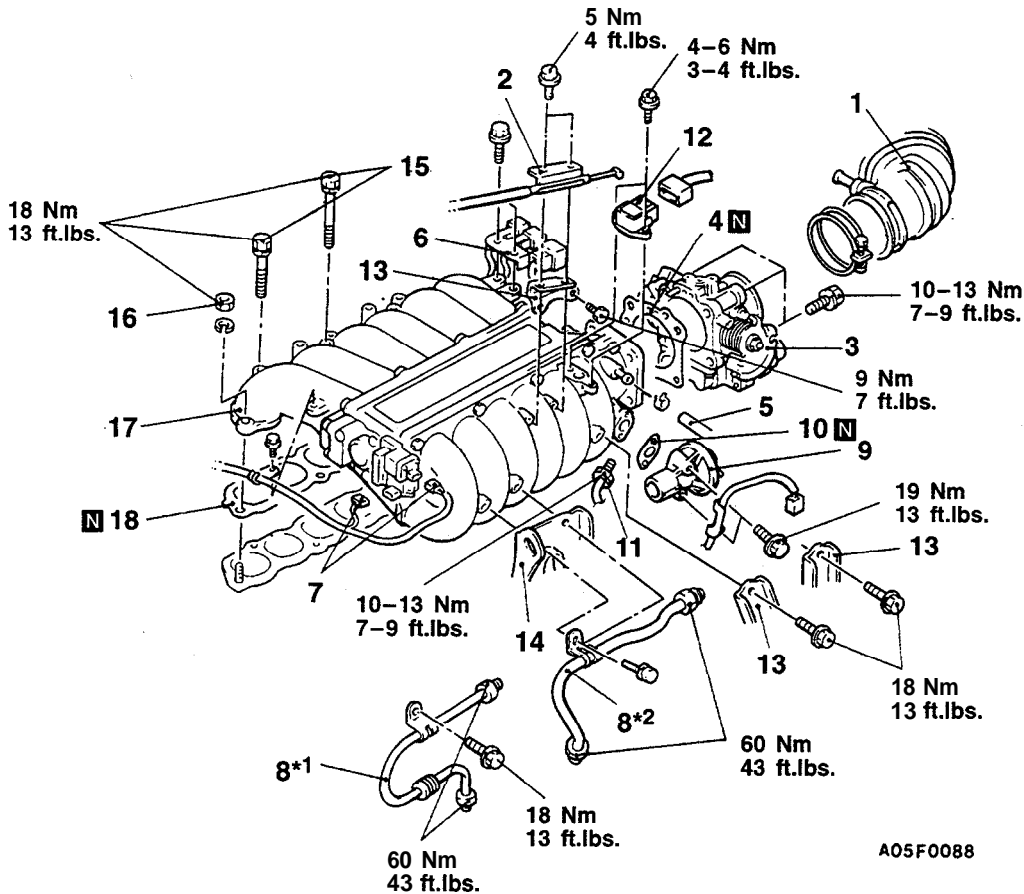


INTAKE MANIFOLD PLENUM <Non Turbo>

REMOVAL AND INSTALLATION

Post-installation operation

- Accelerator Cable Adjustment
(Refer to GROUP 13F – Engine Control.)



A05F0088

Removal steps

- | | |
|--|---|
| <p>1. Air intake hose connection</p> <p>2. Accelerator cable connection</p> <p>3. Throttle body assembly</p> <p>4. Throttle body gasket</p> <p>5. Brake booster vacuum hose connection</p> <p>6. Harness connectors</p> <p>7. VIC motor connection</p> <p>8. EGR pipe <Up to 1995 model for California and from 1996 model></p> <p>9. EGR valve <Up to 19.95 model for California and from 1996 model></p> <p>10. EGR valve gasket <Up to 1995 model for California and from 1996 model></p> <p>11. EGR temperature sensor <Up to 1995 model for California></p> | <p>12. Manifold differential pressure sensor <From 1996 model></p> <p>13. Accelerator cable bracket</p> <p>14. Intake manifold plenum stay connection</p> <p>15. Intake manifold plenum installation bolts</p> <p>16. Intake manifold plenum installation nuts</p> <p>17. Intake manifold plenum</p> <p>18. Intake manifold plenum gasket</p> |
|--|---|

NOTE

- *1 Up to 1993 model
- *2 From 1994 model